

## GARDEN SATELLITE LOUDSPEAKER



Shown with wall mount

# GS4

## 4" SATELLITE LOUDSPEAKER

The Niles Garden Loudspeakers are designed to extend the listening environment into the outdoors, blending high fidelity sound seamlessly into the surroundings. Dual mounting options, both wall-mount and stake mounting (included), provide the ultimate in flexibility for your installation options.

### FEATURES AND BENEFITS

- **Rugged Construction** UV-stabilized, long-lasting ABS plastic housing ensures years of trouble-free performance that can withstand Mother Nature's toughest extremes.
- **Superior Sound Quality** Precision tuned and voiced to provide the high fidelity sound that Niles Audio is famous for. The stellar sound of the GS4 loudspeakers will impress you immediately and their wide dispersion characteristics allows you to enjoy that sound with the ultimate flexibility in placement locations.
- **Installation Ease** Dual mounting options are standard with the GS4 loudspeakers. Wall-Mount brackets come pre-installed and you can easily change to the included stake mount with our Twist & Lock® connection.
- **Install With Confidence** The best-built loudspeakers deserve the best protection—the Niles Lifetime Limited Warranty.

## GARDEN SATELLITE LOUDSPEAKER

### GS4

**4" Satellite Loudspeaker**



Packaged in pairs

Stock Number

FG01667

### FEATURES

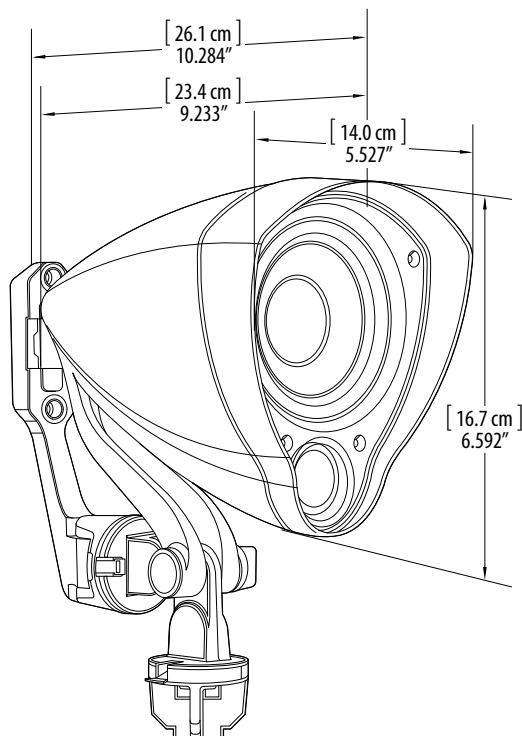
- Custom designed, UV-resistant acoustic enclosure
- 4" Mineral-Filled Polypropylene Woofer for long-lasting performance with deep, rich sound
- 1" Teteron® tweeter with ultra-wide dispersion to maximize the sound quality in an outdoor environment
- Dual mounting options (included): stake mounted for in-ground use, wall-mount bracket to attach against any flat surface
- Weatherproof design assures reliable performance outdoors
- UV-Resistant connection cables with waterproof wire-nuts to ensure trouble free, long-lasting connections

### SPECIFICATIONS

- 1" Wide Dispersion Soft Dome
- Woofer: 4" Mineral-Filled Polypropylene
- Recommended Amplifier Power: 10-110 watts
- Frequency Response: 70Hz to 21kHz +/- 3dB
- Temperature Extremes: 15° to 160° Fahrenheit (-25° to 70° Celsius)

### DIMENSIONS

- Product Dimensions: 10-3/4" H x 5-1/2" W x 9" D (27.3 cm x 14 cm x 22.9 cm)
- Product Weight: 4lbs (1.8 kg)



BLENDING HIGH FIDELITY AND ARCHITECTURE®

1-800-BUY-HIFI – [www.nilesaudio.com](http://www.nilesaudio.com)

©2011 The AVC Group, LLC. All Rights Reserved. Niles, the Niles logo, Twist & Lock, and Blending High Fidelity and Architecture are registered trademarks of The AVC Group, LLC. MicroThin is a trademark of The AVC Group, LLC. All other trademarks are the property of their respective owners. We reserve the right to change features, descriptions, and/or specifications at any time without notice. CS0323A