

# Protect Transfer Switches

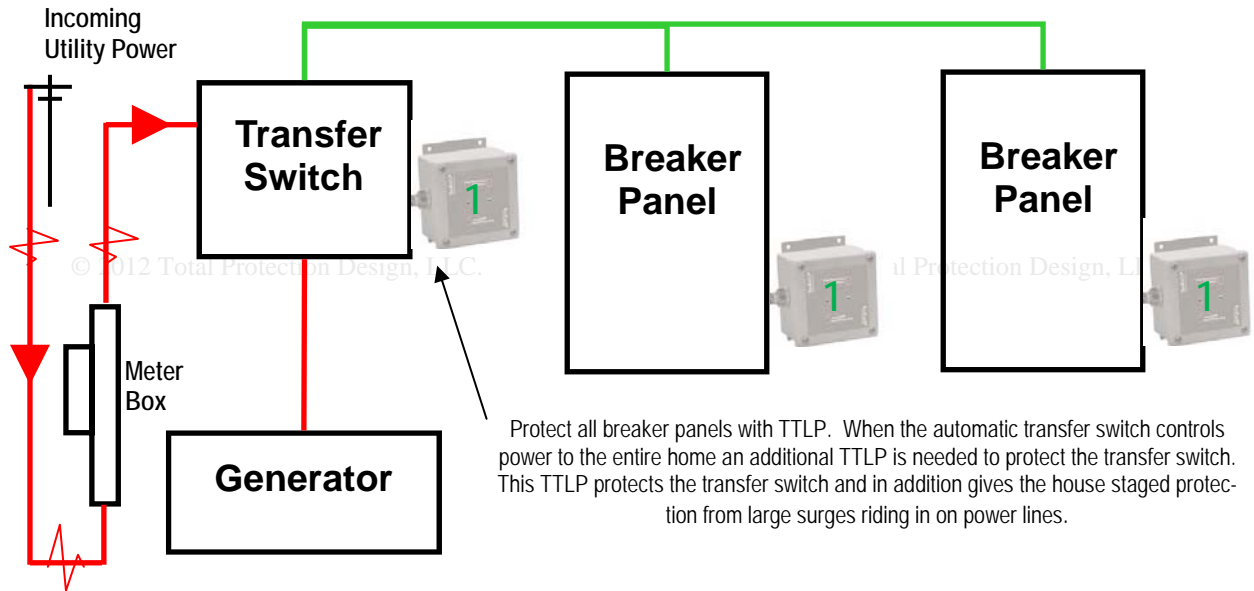
**Total Protection Design**

**#1 TK-TTLP-1S240-FL**

Clean Power - Unsafe Power

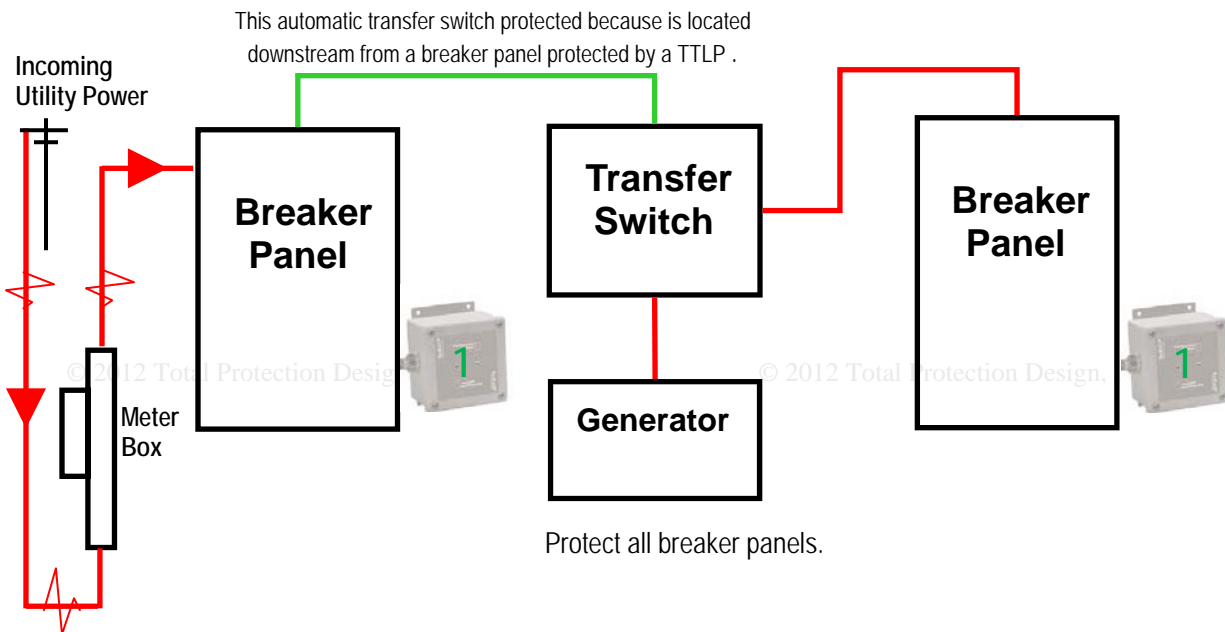
Clean Data - Unsafe Data

## TPD Design # 1 - Transfer switch that feed the entire house.



Protect all breaker panels with TTLP. When the automatic transfer switch controls power to the entire home an additional TTLP is needed to protect the transfer switch. This TTLP protects the transfer switch and in addition gives the house staged protection from large surges riding in on power lines.

## TPD Design # 2 - Transfer switch that powers one or more panels but not the entire house.



This automatic transfer switch protected because is located downstream from a breaker panel protected by a TTLP .

Protect all breaker panels.

Need additional assistance?  
Call Technical Support  
1-888-281-7856  
[info@totalprotectiondesign.com](mailto:info@totalprotectiondesign.com)  
[www.TotalProtectionDesign.com](http://www.TotalProtectionDesign.com)

2011 Total Protection Design, LLC. All Rights Reserved. This drawing is the property of Total Protection Design, LLC. The graphics, information and specific ideas in this document are the exclusive property of Total Protection Design LLC, and must not be made public, copied, or sold. Others seeking permission to reproduce this document, in whole or in part must obtain permission from Total Protection Design in writing.

Notes:  
Drawings are not to scale and should only be used as a visual representation. Installation instructions should be followed for optimal performance and adequate grounding.

